



FE Series Keypad Locks

Residential electronic locks



Schlage FE Series keypad locks bring convenient security to the home.

With features such as auto lock and flex lock, combined with the proven quality of all Schlage residential locks, security and safety is assured.

Step up to a more secure and flexible solution with Schlage electronic keypad locks. You're free to add, change or delete user codes in just seconds and to come and go as you please.

Install a Schlage lock and you install nearly a century of total dedication to security, quality and innovation.

Features

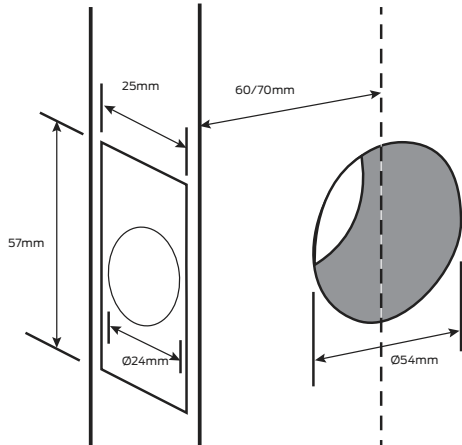
- ANSI/BHMA Grade 2 Certified
- Patented commercial grade clutching motor drive, tested to 1,000,000 cycles
- Vandal resistant clutching lever and free spinning deadbolt turn
- Auto lock function - automatic relocking after 5 seconds
- Flex lock function - lock can be locked/unlocked by inside turn snib to enable passage mode
- Code control; 6 digit programming code to add/delete user codes
- 19 user 4 digit code capacity; 10,000 user code combinations
- Blue LED illuminated keypad on demand
- Mechanical key override
- 9 volt alkaline battery gives an average of 3 years life
- Fits a standard door preparation

Specification guide

Function	Escutcheon	Lever	Finish
Auto lock FE575	Plymouth PLY	Accent ACC	Chrome plate CP
Flex lock FE595		Elan ELA	Satin chrome plate SCP
		Flair FLA	Satin nickel plate SNP
		Latitude LAT	

- Function**
 Select the desired function e.g. FE575 auto lock FE575
- Escutcheon**
 Select the required escutcheon design according to options available on following pages e.g. Plymouth FE575-PLY
- Lever**
 Select the required lever design according to options available on following pages e.g. Flair FE575-PLY-FLA
- Finish**
 Select the desired finish e.g. Satin chrome plate FE575-PLY-FLA-SCP

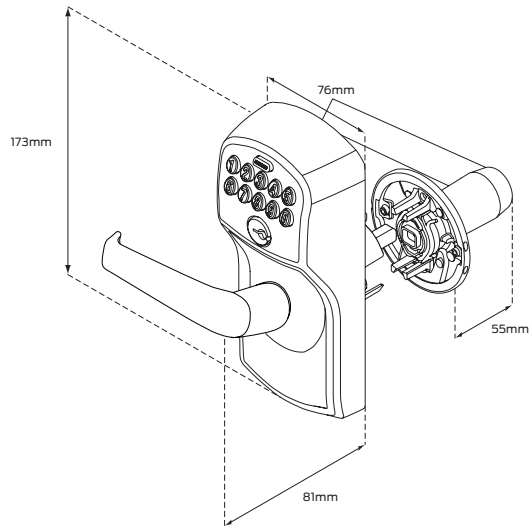
Door preparation



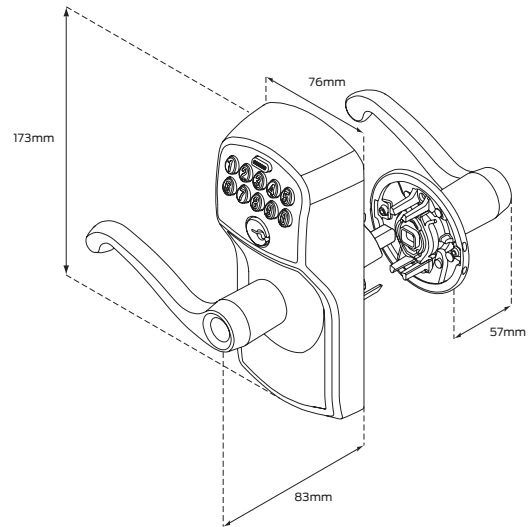
Specifications

Door type	Timber or metal
Door thickness	35mm to 44mm
Chassis	Cold rolled steel - corrosion treated
Latch forend	Steel - plated finish
Bolt	Die cast with hardened steel insert
Strike plate	Steel - plated finish
Backsets	60/70mm adjustable
Key cylinder	Schlage C5 pin
Finishes	Chrome plate, satin chrome plate, satin nickel plate
Warranty	Lifetime mechanical & finish 1 year electronic

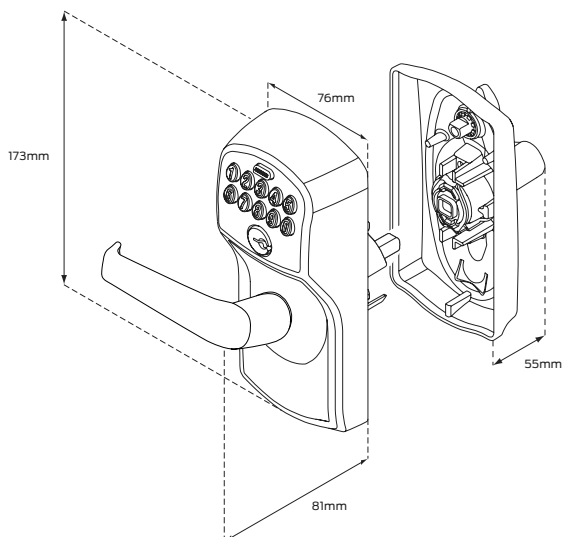
FE575 Plymouth auto lock keypad with Elan lever



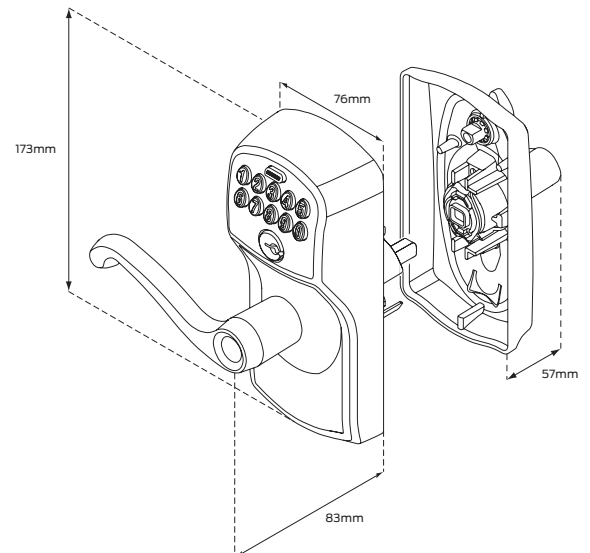
FE575 Plymouth auto lock keypad with Flair lever



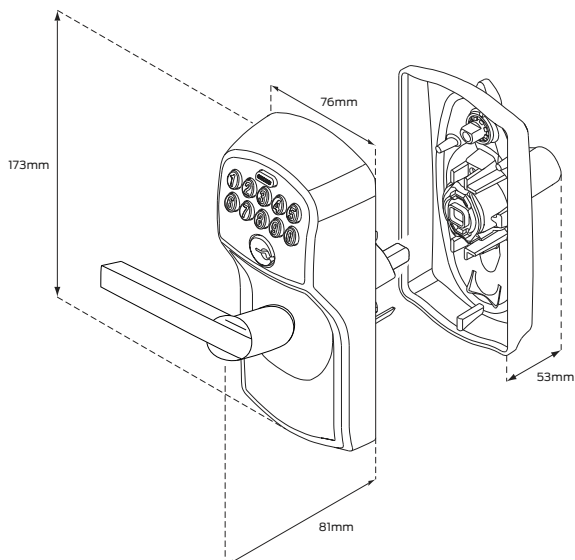
FE595 Plymouth flex lock keypad with Elan lever



FE595 Plymouth flex lock keypad with Flair lever



FE595 Plymouth flex lock keypad with Latitude lever



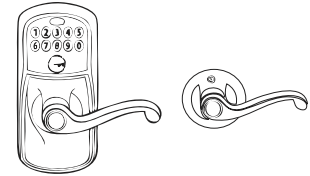
Models

Outside

Inside

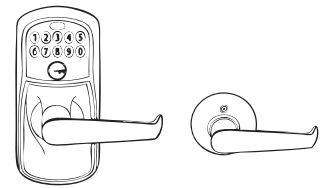
FE575

Plymouth auto lock keypad with Flair lever



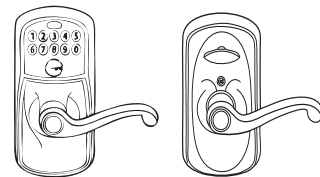
FE575

Plymouth auto lock keypad with Elan lever



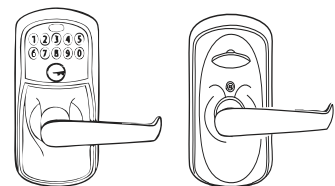
FE595

Plymouth flex lock keypad with Flair lever



FE595

Plymouth flex lock keypad with Elan lever



FE595

Plymouth flex lock keypad with Latitude lever

